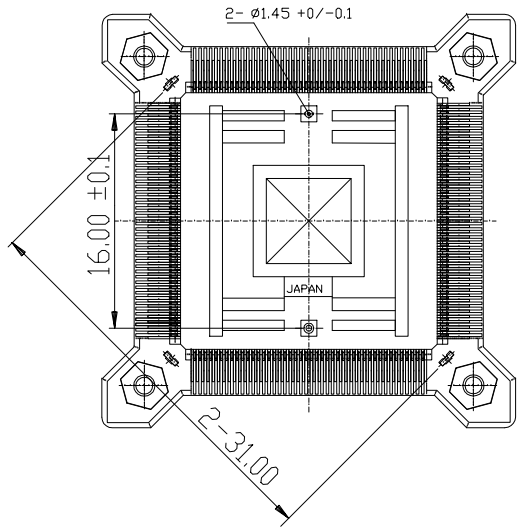
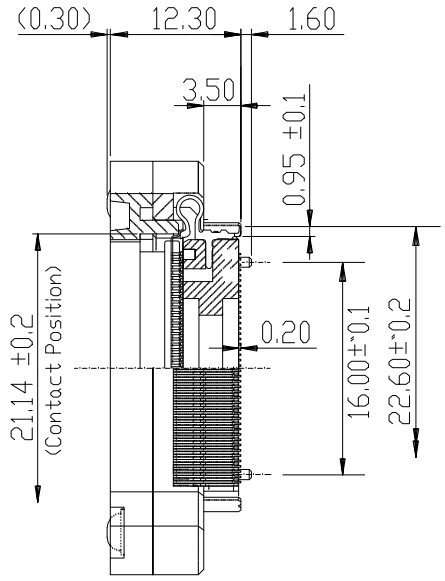
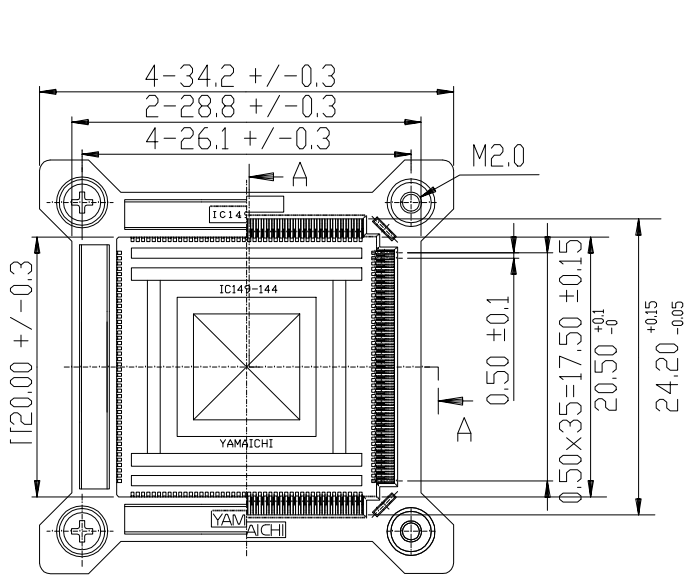


ECN NO.	REV.	DESCRIPTION OF CHANGE	EFFECTIVE DATE	ORIGINATOR
980320	0	Initial	10/16/98	R. Kuang

THE DRAWINGS AND INFORMATION CONTAINED HEREIN ARE THE EXCLUSIVE PROPERTY OF ACTEL.
 THE INFORMATION, DRAWINGS AND DESIGN CONCEPTS CONTAINED HEREIN ARE CONFIDENTIAL/PROPRIETARY. SHALL
 BE MAINTAINED IN STRICT CONFIDENCE, AND SHALL NOT BE RELEASED TO ANY THIRD PARTY WITHOUT THE EXPRESS
 WRITTEN PERMISSION OF ACTEL.

SEC.A-A



Notes:

- Controlling dimensions are in millimeters.
- Yamaichi socket number IC149-144-145-S5
- Make 2 holes on PCB when you use socket with the guide pin. Do not plate the inside of the holes.

UNLESS OTHERWISE SPECIFIED DIMENSIONS ARE IN MILLIMETERS DECIMAL ANGULAR X.X ±0.10 ±1° X.XX ±0.05 X.XXX ±0.03		PROJECTION 	ACTEL CORP 955 E ARQUES AVE SUNNYVALE CA 94086
APPROVALS DRAWN R. Kuang		DATE 9/9/98	TITLE Yamaichi TQ144 Surface Mount Socket
MATERIAL SEE NOTES	CHECKED		VENDOR NAME: YAMAICHI ACTEL DWG. NUMBER: 1-07-09028 REV: 0
FINISH SEE NOTES	ENGR		SIZE B VENDOR SID(PART) NUMBER: IC149-144-145-S5 VENDOR DWG. NUMBER: N/A
DO NOT SCALE DRAWING		RELEASED	Actel Part#: SY-TQ144 SCALE: NONE SHEET 1 OF 2

ACTEL CONFIDENTIAL