

Axcelerator I/O Selection Guide

Introduction and Feature Summary

The Axcelerator family offers I/O features to support a very wide variety of user designs. An outline of the features is as follows:

- Support for multiple I/O specs
- Mixed-voltage operation – 1.5V, 1.8V, 2.5V, 3.3V
- Bank-Selectable I/Os – 8 Banks per Chip
- Registered I/O with 64-bit PerPin FIFO on Each Pin
- DDR Operation
- Hot-Swap Compliant I/Os
- Programmable Slew Rate, Output Drive, and Input Delay
- Integrated Pull-Up and Pull-Down Circuits
- Boundary-Scan Testing in Compliance with IEEE Standard 1149.1 (JTAG)

This I/O Selection Guide is intended to give designers an overview of the supported standards and features as well as performance information. Details on configuration of I/Os are provided in two other application notes:

I/O Features in Axcelerator Family Devices

Using the Axcelerator PerPin FIFOs

Supported I/O Standards – A Quick Look

Fourteen different I/O standards are supported in three basic groups as follows:

- Single-ended – LVTTTL, 3.3V PCI/PCI-X, LVC MOS (2.5V, 1.8V, and 1.5V)
- Voltage-referenced – GTL+, SSTL2 Classes I/II, SSTL3 Classes I/II, HSTL Class I
- Differential – LVPECL, low-speed LVDS

Single-Ended

All of these standards use a push-pull CMOS output stage. The input buffer configuration and default output drive differ, as does the I/O supply voltage V_{CCI} . The reference voltage, V_{REF} , and the differential amplifier supply voltage, V_{CCR} , are not needed.

LVTTTL

An LVTTTL input buffer is used to implement this 3.3V standard (JEDEC JESD8-B). The LVTTTL output buffers can have four different drive strengths; namely, 8mA, 12mA, 16mA, and 24mA. Two configuration bits are required to select one of these four strengths. The default strength is 24mA. V_{CCI} is 3.3V.

3.3V PCI/PCI-X

This option uses a 3.3V CMOS input buffer. A clamp diode is used to allow 5V input tolerance (see the “3.3V PCI/PCI-X” section on page 4). Again V_{CCI} is 3.3V. Like LVTTTL, the output buffer has four different drive strength options. The default for PCI is 16mA and PCI-X has a default of 12mA. Programmable slew rate is also available in the Axcelerator family. The slow option should NOT be used for 3.3V PCI.

LVC MOS

The Axcelerator family provides three kinds of LVC MOS. 2.5V LVC MOS (LVC MOS2) is compliant with JEDEC standard JESD8-5. 1.8V LVC MOS (LVC MOS3) is compliant with JEDEC standard JESD8-7. 1.5V LVC MOS is the projected extension of these standards to a 1.5V supply voltage. V_{CCI} , of course, is either 2.5V, 1.8V, or 1.5V depending on the standard.

All versions use a 3.3V-tolerant CMOS input buffer.

Voltage-Referenced

All of these standards use an external reference voltage (V_{REF}).

GTL+

The GTL+ standard was derived from the JEDEC JESD8-3 GTL standard. Intel extended the standard to define a bus architecture for the Pentium Pro CPU. The bus is an incident-wave-switching, open-drain bus with external pull-up resistors. A differential amplifier input buffer and open-drain CMOS output buffer are used. V_{REF} is 1.0V.

SSTL3

SSTL3 is a 2.5V memory bus interface standard sponsored by IBM and Hitachi. There are two classes (I and II) and both are supported in the Actel Axcelerator family. The standard is implemented with a differential amplifier input buffer and a push-pull CMOS output stage. The relevant JEDEC standard is JESD8-8. V_{REF} is 1.5V.

SSTL2

SSTL2 is the 2.5V version of SSTL. There are two classes (I and II) and both are supported in the Actel Accelerator family. The standard is implemented with a differential amplifier input buffer and a push-pull CMOS output stage. The relevant JEDEC standard is JESD8-9. V_{REF} is 1.25V.

HSTL

This memory bus interface standard is designed for 1.5V operation. The IBM-sponsored standard is defined in JEDEC specification JESD8-6. Like SSTL, it is implemented with a differential amplifier input buffer and a push-pull CMOS output stage. Class I HSTL is supported in the Accelerator family. V_{REF} is 0.75V for Class I HSTL.

Differential

The differential interface standards offer higher performance and lower power consumption than their single-ended counterparts. Two I/O pads are used for each data-transfer channel. Both standards require resistor termination.

LVPECL

Often used for high-speed clock inputs, LVPECL employs a V_{CCI} of 3.3V and a differential voltage of 300mV.

Low-Speed LVDS

LVDS is a low voltage, differential-signal interface standard. The "standard" is really two – IEEE 1596.3 SCI-LVDS and

ANSI/TIA/EIA-644. LVDS uses a differential driver connected to a terminated receiver through a constant-impedance transmission line. The receiver is a wide-common-mode-range differential amplifier. The typical common-mode voltage is 1.25V with a 350mV differential voltage swing. V_{CCI} is 2.5V.

I/O Architecture Overview

Each I/O has an input register, an output register, and an enable register. I/Os are organized into banks, and there are eight banks per device (two per side). Each I/O bank has a common supply voltage, V_{CCI} , for the I/Os within that bank. For voltage-referenced I/Os, each bank also has a common reference-voltage bus, V_{REF} . The location of V_{REF} is user-selectable; any user I/O within the bank can be chosen. If differential I/Os are used, the differential amplifier supply voltage V_{CCR} must be connected to 3.3V. Otherwise, V_{CCR} must be tied to either 3.3V (3.3V if available in the system) or 2.5V. [Table 1](#) lists the acceptable ranges for all of the supply voltages.

Multiple I/O standards can co-exist within a single I/O bank; the legal combinations are given in [Table 2 on page 3](#). A standard listed in a row in the left column can be used with any of the other standards checked in the same row.

[Table 3 on page 3](#) summarizes DC input and output levels for the supported single-ended and voltage-referenced I/O standards. The AC test conditions for these standards are given in [Table 4 on page 4](#).

Table 1 • Supply Voltage Ranges

Supply	Min (V)	Typ (V)	Max (V)	Notes
V_{CCA}	1.4	1.5	1.6	
V_{CCI}	3.0	3.3	3.6	LVTTTL, 3.3V PCI, LVPECL, GTL+, SSTL3
	2.3	2.5	2.7	LVCMOS 2.5V, GTL+, SSTL2
	2.375	2.5	2.625	LVCMOS 1.8V
	1.7	1.8	1.9	LVCMOS 1.5V
V_{CCR}	1.4	1.5	1.6	LVDS only
	3.0	3.3	3.6	Differential Amplifier in use
	3.0	3.3	3.6	No Differential Amplifier (recommended)
	2.3	2.5	2.7	No Differential Amplifier (also permitted)

Table 2 • Legal I/O Usage Matrix

I/O Standard	LVTTTL 3.3V	LVC MOS 2.5V	LVC MOS 1.8V	LVC MOS 1.5V (JESD8-11)	3.3V PCI 3.3V PCI-X	GTL + (3.3V)	GTL + (2.5V)	HSTL Class I (1.5V)	SSTL2 Class I & II (2.5V)	SSTL3 Class I & II (3.3V)	LVDS (2.5V ±5%)	LVPECL (3.3V)
LVTTTL 3.3V (V _{REF} =1.0V)	✓				✓	✓						✓
LVTTTL 3.3V(V _{REF} =1.5V)	✓				✓					✓		✓
LVC MOS 2.5V (V _{REF} =1.0V)		✓					✓				✓	
LVC MOS 2.5V (V _{REF} =1.25V)		✓							✓		✓	
LVC MOS 1.8V			✓									
LVC MOS 1.5V (V _{REF} =1.75V) (JESD8-11)				✓				✓				
3.3V PCI 3.3V PCI-X (V _{REF} =1.0V)	✓				✓	✓						✓
3.3V PCI 3.3V PCI-X (V _{REF} =1.5V)	✓				✓					✓		✓
GTL + (3.3V)	✓				✓	✓						✓
GTL + (2.5V)		✓					✓					
HSTL Class I				✓				✓				
SSTL2 Class I & II		✓							✓		✓	
SSTL3 Class I & II	✓				✓					✓		✓
LVDS (V _{REF} =1.0V)		✓					✓				✓	
LVDS (V _{REF} =1.25V)		✓							✓		✓	
LVPECL (V _{REF} =1.0V)	✓				✓	✓						✓
LVPECL (V _{REF} =1.5V)	✓				✓					✓		✓

Notes: A "✓" indicates whether standards can be used within a bank at the same time.

Examples:

- a) LVTTTL can be used with 3.3V PCI/PCI-X, and GTL+ (3.3V), when V_{REF} = 1.0V (GTL+ requirement).
- b) LVTTTL can be used with 3.3V PCI/PCI-X, and SSTL3 Class I & II, when V_{REF} = 1.5V (SSTL3 requirement).
- c) LVDS V_{CCI} = 2.5V ±5%.

Table 3 • DC Input and Output Levels

Standard	V _{IL}		V _{IH}		V _{OL}	V _{OH}	I _{OL}	I _{OH}
	Min, V	Max, V	Min, V	Max, V	Max, V	Min, V	mA	mA
LVTTTL	-0.3	0.8	2.0	V _{CCI} +0.3	0.4	2.4	24	-24
3.3V PCI/PCI-X	-0.5	0.3 V _{CCI}	0.5 V _{CCI}	V _{CCI} +0.5	0.1 V _{CCI}	0.9 V _{CCI}	*	*
LVC MOS 2.5V	-0.3	0.7	1.7	V _{CCI} +0.3	0.4	2.0	12	-12
LVC MOS 1.8V	-0.3	0.35 V _{CCI}	0.65 V _{CCI}	V _{CCI} +0.3	V _{CCI} -0.45	V _{CCI} +0.45	2	-2
LVC MOS 1.5V	-0.3	0.35 V _{CCI}	0.65 V _{CCI}	V _{CCI} +0.3	0.4	V _{CCI} +0.4	8	-8
GTL+	N/A	V _{REF} -0.05	V _{REF} +0.05	N/A	0.6	N/A	N/A	N/A
SSTL2 I	-0.3	V _{REF} -0.18	V _{REF} +0.18	V _{CCI} +0.3	V _{REF} -0.57	V _{REF} +0.57	7.6	-7.6
SSTL2 II	-0.3	V _{REF} -0.18	V _{REF} +0.18	V _{CCI} +0.3	V _{REF} -0.76	V _{REF} +0.76	15.2	-15.2
SSTL3 I	-0.3	V _{REF} -0.2	V _{REF} +0.2	V _{CCI} +0.3	V _{REF} -0.6	V _{REF} +0.6	8	-8
SSTL3 II	-0.3	V _{REF} -0.2	V _{REF} +0.2	V _{CCI} +0.3	V _{REF} -0.8	V _{REF} +0.8	16	-16
HSTL I	-0.3	V _{REF} -0.1	V _{REF} +0.1	V _{CCI} +0.3	0.4	V _{CC} -0.4	8	-8

Note: * Current characteristics as specified in PCI Specification Revision 2.2.

Table 4 • AC Test Conditions

Standard	Input Waveform Low (V)	Input Waveform High (V)	Measuring Point (V)	V _{REF} (typ) (V)	Capacitive Load (pF)
LVTTTL	0	3.0	1.40	N/A	35
3.3V PCI/PCI-X	*	*	*	N/A	10
LVC MOS2.5V	0	2.5	1.125	N/A	35
LVC MOS1.8V	0	1.8	0.8	N/A	35
GTL+	V _{REF} -0.2	V _{REF} +0.2	V _{REF}	1.0	0
SSTL2 I	V _{REF} -0.75	V _{REF} +0.75	V _{REF}	1.25	30
SSTL2 II	V _{REF} -0.75	V _{REF} +0.75	V _{REF}	1.25	30
SSTL3 I	V _{REF} -1.0	V _{REF} +1.0	V _{REF}	1.5	30
SSTL3 II	V _{REF} -1.0	V _{REF} +1.0	V _{REF}	1.5	30
HSTL I	V _{REF} -0.5	V _{REF} +0.5	V _{REF}	0.75	20

Note: *Specified in PCI Specification Revision 2.2 and PCI-X Specification Revision 1.0.

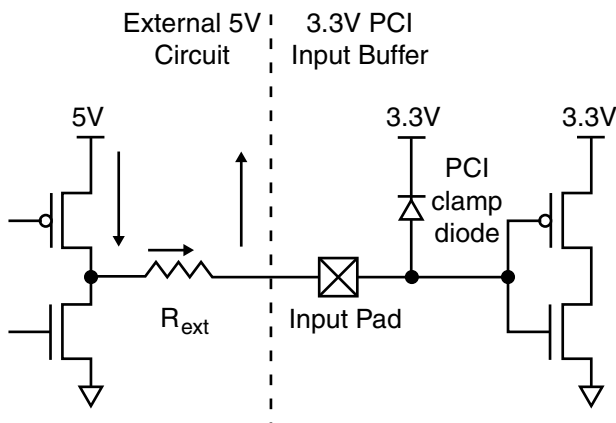
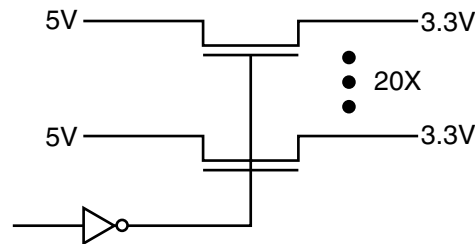
I/O Details

The following sections provide implementation details on some of the standards.

Single-Ended Standards

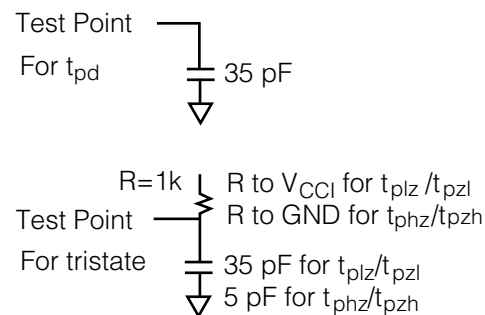
3.3V PCI/PCI-X

5V tolerance is allowed for 3.3V PCI only. In this case, an INTERNAL clamp diode (required for compliance with the 3.3V PCI I/O standard) is enabled between the input pad and the V_{CCI} pad. The diode clamps the voltage at the input pin at V_{CCI} + V_{diode} (3.3V + 0.8V = 4.1V worst-case). An EXTERNAL current-limiting serial resistor (about 100Ω) is required between the input pin and the 5V signal source (Figure 1). An alternative to the external resistor is the bus switch, such as the IDTQS32X2384, shown in Figure 2. Note that hot swapping is NOT available with 3.3V PCI.


Figure 1 • 5V Tolerance with 3.3V PCI

Figure 2 • IDTQS32X2384 Bus Switch

Test Circuit

Parameters for all of the single-ended standards were obtained using the same test circuit (Figure 3).


Figure 3 • Test Circuit for LVTTTL and LVC MOS

Voltage-Referenced

HSTL

The Class I V_{CCI} range is from 1.4V to 1.6V and the V_{REF} range is from 0.68V to 0.9V. The differential amp (both PMOS and NMOS) does not work properly in this range. Even if V_{CCI} is equal to 1.8V, the differential amp still will not work very well because of the low end of the V_{REF} range (0.68V).

Proper HSTL operation is achieved by having a 3.3V external reference voltage powering all the differential amps. This simplifies circuit design and saves die size, because we can use one differential amp circuit per I/O instead of using multiple differential amps to handle different V_{CCI} values. This is done by placing eight 3.3V V_{CCR} pads around the chip. Internally, they are tied together by metal. If none of the differential amplifiers are used, these eight pads can be

tied to either 2.5V or 3.3V. If one voltage value is applied to one V_{CCR} pin, all other V_{CCR} pins should have the same value.

Test Circuits

The test circuits for SSTL2/SSTL3 and HSTL are shown in Figure 4.

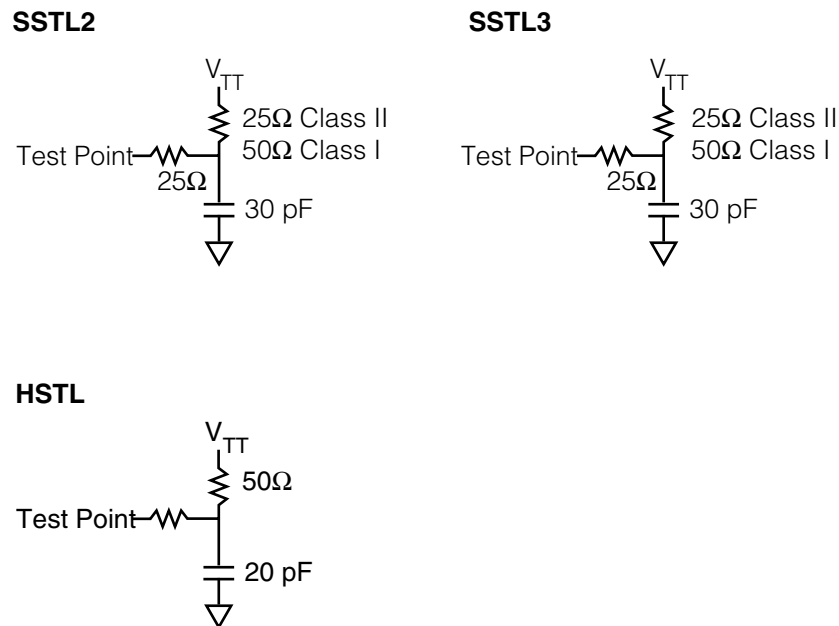


Figure 4 • Test Circuits for SSTL and HSTL

Differential

Low-Speed LVDS

In "true" LVDS, a current-mode driver provides a nominal current of 3.5mA. When this current flows through a 100Ω termination resistor on the receiver side, a voltage swing of 350mV is developed across the resistor (Figure 5 on page 6). The direction of the current flow is controlled by the data fed to the driver. In the Accelerator LVDS implementation, the receiver is similar to the "true" LVDS receiver (Figure 5 on page 6). However, the driver is not a current-mode driver. Instead, two CMOS drivers from two adjacent I/O cells are used to generate the differential signals. Two complementary signals have to be routed by software to these two drivers. An external resistor network (three resistors) is needed to reduce the voltage swing to about 350mV. Note that the signal skew of the two adjacent CMOS drivers must be minimized to avoid a loss in performance. Figure 6 on page 6 illustrates the circuit. Therefore, four external resistors are required, three for the driver and the 100Ω termination resistor on the receiver side.

Table 5 on page 6 provides DC parametric data for the LVDS implementation.

LVPECL

This scheme is similar to the LVDS scheme described above. It also requires four external resistors, three for driver and one for receiver, but the values for the three driver resistors are different from the LVDS resistors above because the output voltage levels are different (Figure 7 on page 6). This LVPECL is different from the standard LVPECL because the V_{OH} levels are 200mV below standard LVPECL levels. Table 6 on page 6 illustrates the DC parametric data for LVPECL.

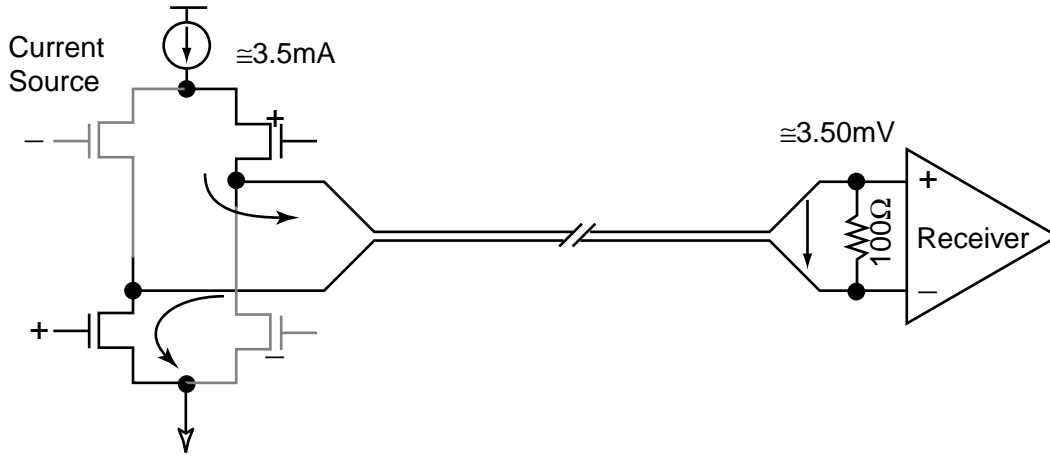


Figure 5 • LVDS Operation

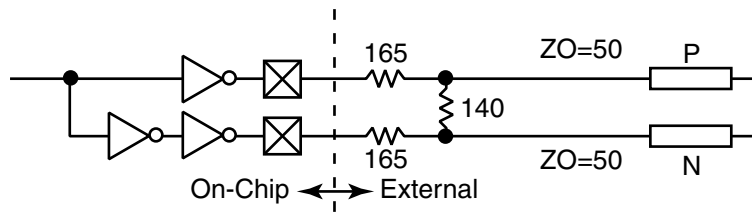


Figure 6 • Axcelerator LVDS Driver Circuit

Table 5 • LVDS DC Parameters

Symbol	DC Parameter	Notes	Min	Typ	Max	Units
V_{CCI}	Supply Voltage	+/- 5%	2.375	2.5	2.625	V
V_{OH}	Output High Voltage		1.25	1.425	1.6	V
V_{OL}	Output Low Voltage		0.9	1.075	1.25	V
V_{ODIFF}	Differential Output Voltage		250	350	450	mV
V_{OCM}	Output Common Mode Voltage		1.125	1.25	1.375	V
V_{ICM}	Input Common Mode Voltage	Differential input voltage = +/-350mV	0.2	1.25	2.2	V

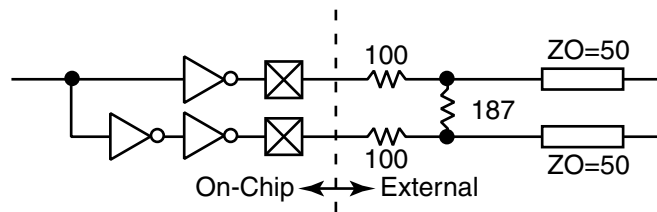


Figure 7 • LVPECL Driver Circuit

Table 6 • LVPECL DC Parameters

DC Parameter	$V_{CCI}=3.0V$		$V_{CCI}=3.3V$		$V_{CCI}=3.6V$		Units
	Min.	Max.	Min.	Max.	Min.	Max.	
V_{OH}	1.8	2.11	1.92	2.28	2.13	2.41	V
V_{OL}	0.96	1.27	1.06	1.43	1.30	1.57	V
V_{IH}	1.49	2.72	1.49	2.72	1.49	2.72	V
V_{IL}	0.86	2.125	0.86	2.125	0.86	2.125	V
Differential Input Voltage	0.3		0.3		0.3		V

Other Features

The Accelerator I/O circuitry includes a number of other features:

- Flexible I/O cell
 - Dedicated I/O registers
 - Dedicated PerPin FIFO
 - Programmable input delay
 - Programmable output drive strength
- Built-in pull-up/pull-down circuitry
- 3.3V tolerance
- Hot-insertion capability
- Double-data-rate operation

Flexible I/O Cell

The three dedicated I/O registers provide the flexibility to handle a wide variety of I/O requirements. [Figure 8](#) illustrates the I/O cell's input register configuration. Clocking can come from one of the global clocks or a routed clock. The input can be registered, the register output can be fed back to the input to implement the enable function, or the register can be bypassed completely. Similarly, output and enable register configuration provides even more options ([Figure 9 on page 8](#)).

In addition to the single registers for data buffering, the Accelerator family offers an innovative PerPin FIFO structure. The user can use this "FIFO-per-pin" of length 64 to buffer input or output data. The FIFO can be bypassed entirely if desired. Two sets of the aforementioned input, output, and enable registers and two PerPin FIFOs are grouped into an I/O cluster. The I/O clusters (IOCs) are organized into blocks of 12 clusters (24 I/Os) as shown in [Figure 10 on page 8](#). A hardwired I/O FIFO Embedded Controller provides the following functions to control all I/Os in a group for bus-oriented applications. The controller generates FULL and EMPTY flags as well as programmable AFULL and AEMPTY flags. Maximum operating frequency for the controller is 350 MHz. The user is also free to individually control each FIFO. In this case, the FPGA logic must generate the flag logic.

The input buffer structure includes an optional delay element. One application for this structure is adjustment of internal I/O setup and hold times with HCLK clocking if the PLL structures are not used. [Table 7 on page 9](#) summarizes input buffer delays without use of the optional delay element. The output buffer has both programmable slew rate and programmable drive strength. Refer to [Table 8 on page 9](#) for a summary of output buffer delay information.

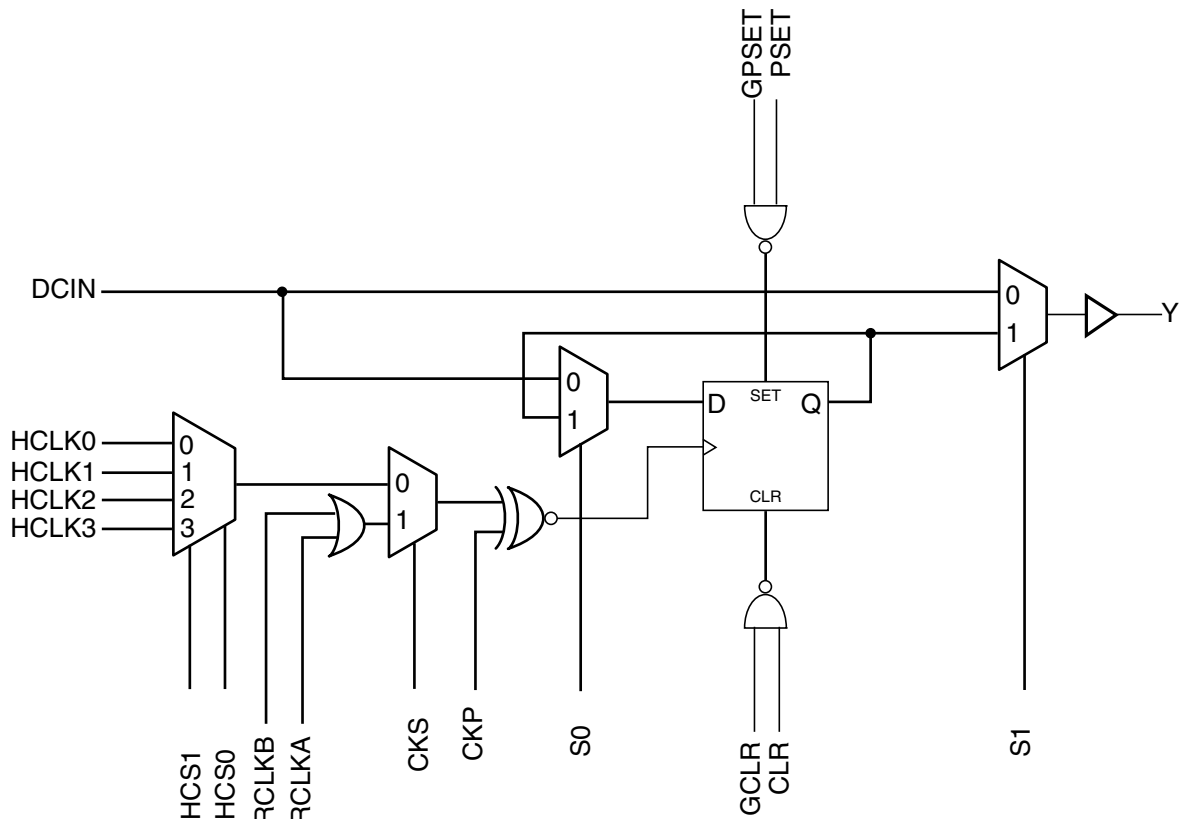


Figure 8 • Input Register Configuration

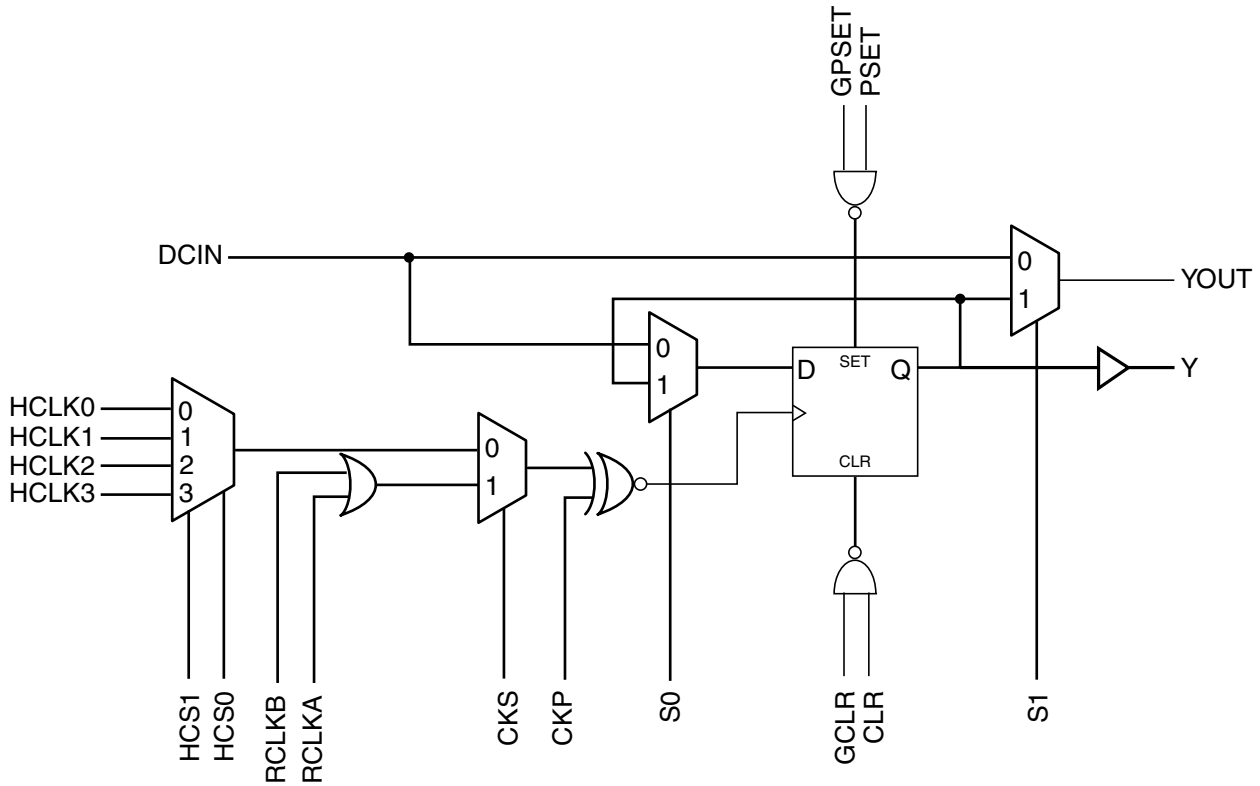


Figure 9 • Output and Enable Register Configuration

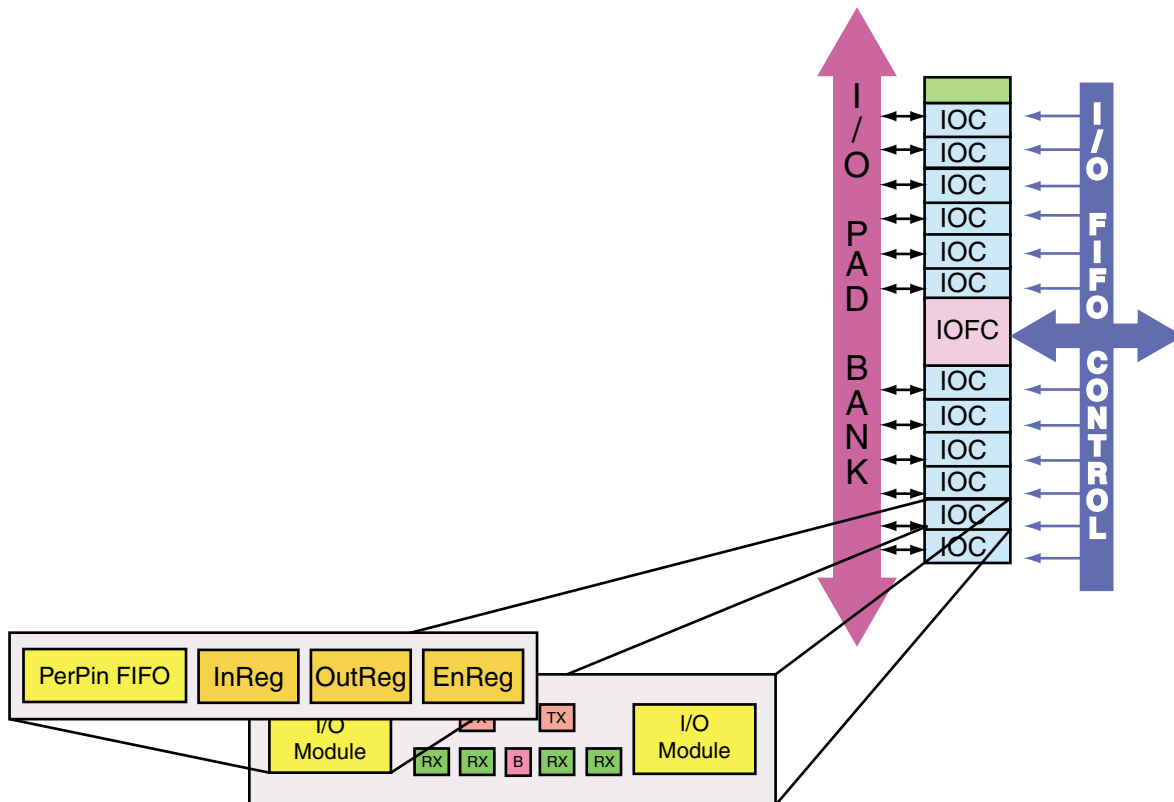


Figure 10 • I/O Cluster Configuration

Table 7 • Input Buffer Delays (ns)

I/O Standard	'-3' Speed	'-2' Speed	'-1' Speed	'Std' Speed
LVTTTL				
Low Slew – 8 mA	0.98	1.13	1.28	1.51
– 12 mA	0.96	1.11	1.26	1.48
– 16 mA	0.98	1.13	1.28	1.50
– 24 mA	0.98	1.13	1.28	1.50
High Slew – 8 mA	0.98	1.13	1.28	1.50
– 12 mA	0.98	1.13	1.28	1.50
– 16 mA	0.98	1.13	1.28	1.50
– 24 mA	0.98	1.13	1.28	1.50
LVC MOS25	1.72	1.98	2.25	2.65
LVC MOS18	2.62	3.03	3.43	4.03
LVC MOS15	3.65	4.22	4.78	5.62
3.3V PCI/PCI-X	1.09	1.26	1.43	1.68
GTL+	0.87	1.01	1.14	1.34
HSTL Class I	2.47	2.85	3.23	3.80
SSTL2 Class I	1.04	1.20	1.36	1.60
SSTL2 Class II	1.00	1.16	1.31	1.55
SSTL3 Class I	0.86	0.99	1.12	1.32
SSTL3 Class II	0.83	0.96	1.09	1.28
LVDS	1.68	1.94	2.20	2.59
LVPECL	1.23	1.42	1.61	1.90

Table 8 • Output Buffer Delays (ns)

I/O Standard	'-3' Speed	'-2' Speed	'-1' Speed	'Std' Speed
LVTTTL				
Low Slew – 8 mA	8.80	10.15	11.51	13.54
– 12 mA	6.92	7.98	9.05	10.65
– 16 mA	0.84	0.97	1.10	1.30
– 24 mA	6.64	7.67	8.69	10.22
High Slew – 8 mA	0.84	0.97	1.10	1.30
– 12 mA	0.84	0.97	1.10	1.30
– 16 mA	0.84	0.97	1.10	1.30
– 24 mA	0.84	0.97	1.10	1.30
LVC MOS25	1.12	1.29	1.46	1.72
LVC MOS18	1.73	2.00	2.26	2.66
LVC MOS15	2.35	2.71	3.07	3.61
3.3V PCI/PCI-X	0.96	1.11	1.26	1.48
GTL+	1.13	1.30	1.47	1.73
HSTL Class I	0.99	1.14	1.30	1.53
SSTL2 Class I	1.05	1.21	1.38	1.62
SSTL2 Class II	1.05	1.21	1.38	1.62
SSTL3 Class I	1.11	1.28	1.46	1.71
SSTL3 Class II	1.11	1.28	1.46	1.71
LVDS	1.63	1.88	2.14	2.51
LVPECL	1.41	1.75	1.98	2.33

Power Up, Hot Insertion, and 3.3V

All I/O pads are tristated during full or partial power up/down. V_{CCA} and V_{CCI} need not be stable during power up/down and do not require specific power sequencing. During and after hot insertion of an Accelerator device, the device will not degrade the reliability or cause damage to the host system. The output pins of the device are driven to a high-impedance state until normal operating conditions are reached. The output buffer also has optional weak pull-up or pull-down circuits. Note that these are NOT transient (active during power up only) like those in Actel's SX-A family. All I/O standards except 3.3V PCI are capable of both hot insertion and 3.3V tolerance. (See the "3.3V

PCI/PCI-X" section on page 4 for a description of 5V tolerance).

Double Data Rate (DDR)

The input stream can operate at DDR by connecting the input buffer to two I/O modules (including their dedicated registers and FIFO) configured to use opposite edges of the same reference clock. This requires the I/O pad associated with the second I/O module to be disabled.

I/O Layout

The general layout plan of banks, supply voltages, and other I/O signals is shown in Figure 11.

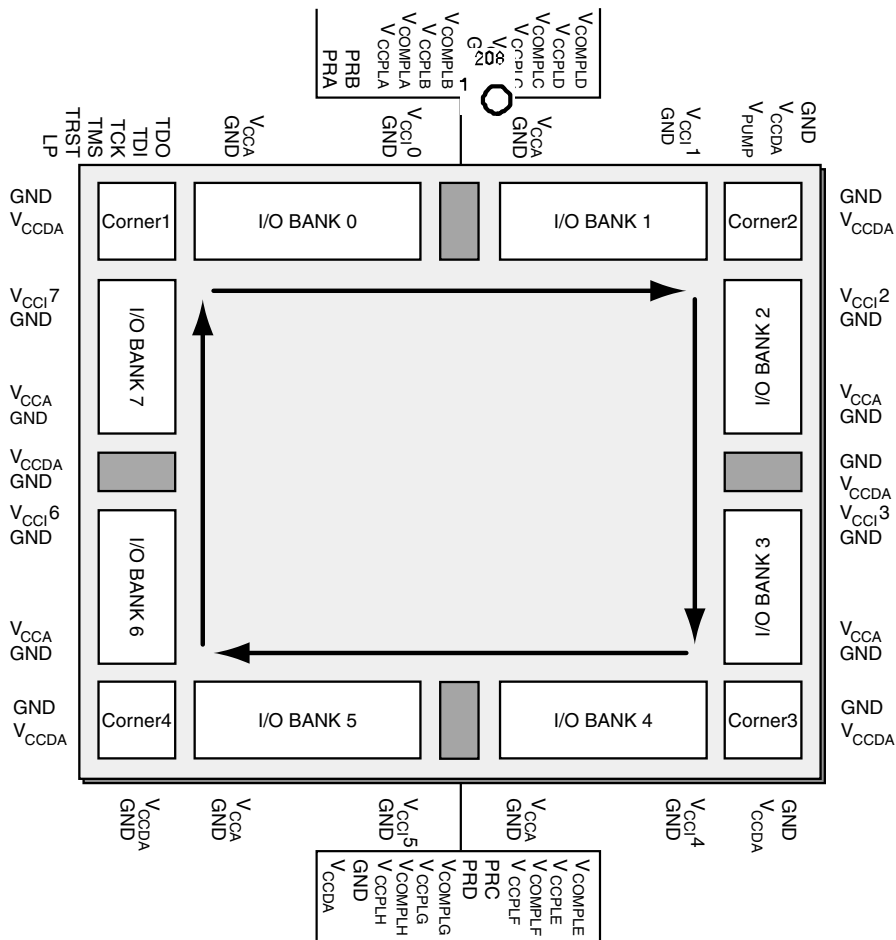


Figure 11 • I/O Layout Plan

Actel and the Actel logo are registered trademarks of Actel Corporation.
All other trademarks are the property of their owners.



<http://www.actel.com>

Actel Europe Ltd.

Maxfli Court, Riverside Way
Camberley, Surrey GU15 3YL
United Kingdom

Tel: +44 (0)1276 401450

Fax: +44 (0)1276 401490

Actel Corporation

955 East Arques Avenue
Sunnyvale, California 94086
USA

Tel: (408) 739-1010

Fax: (408) 739-1540

Actel Asia-Pacific

EXOS Ebisu Bldg. 4F
1-24-14 Ebisu Shibuya-ku
Tokyo 150 Japan

Tel: +81-(0)3-3445-7671

Fax: +81-(0)3-3445-7668