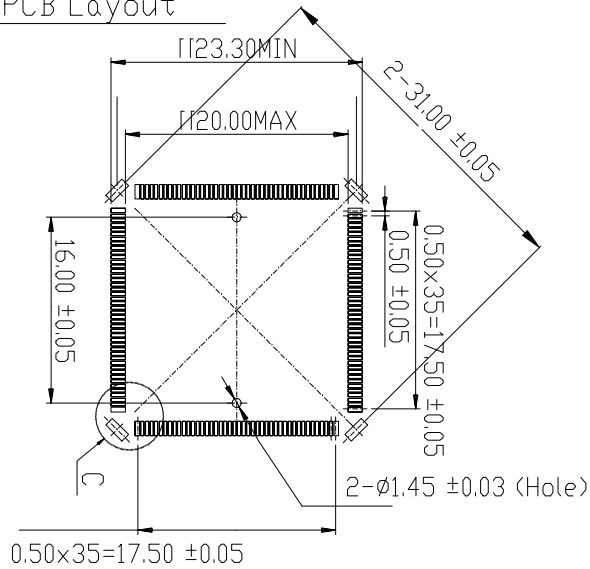


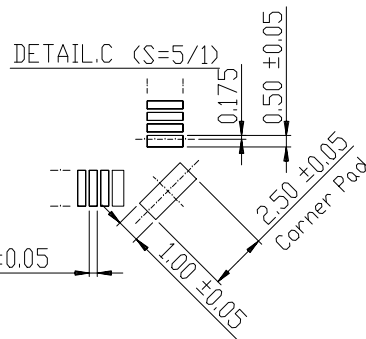
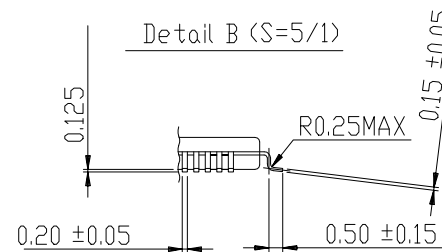
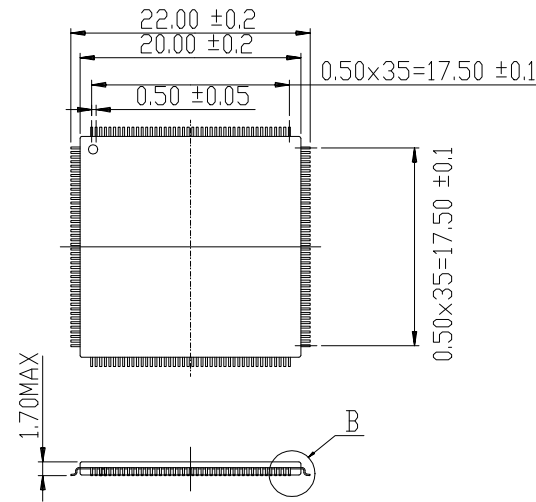
THE DRAWINGS AND INFORMATION CONTAINED HEREIN ARE THE EXCLUSIVE PROPERTY OF ACTEL.
 THE INFORMATION, DRAWINGS AND DESIGN CONCEPTS CONTAINED HEREIN ARE CONFIDENTIAL/PROPRIETARY, SHALL
 BE MAINTAINED IN STRICT CONFIDENCE, AND SHALL NOT BE RELEASED TO ANY THIRD PARTY WITHOUT THE EXPRESS
 WRITTEN PERMISSION OF ACTEL.

ECN NO.	REV.	DESCRIPTION OF CHANGE	EFFECTIVE DATE	ORIGINATOR
980320	0	Initial	10/16/98	R. Kuang

Recommended PCB Layout



Applicable IC Dimension



UNLESS OTHERWISE SPECIFIED DIMENSIONS ARE IN MILLIMETERS		PROJECTION		ACTEL CORP 955 E ARQUES AVE SUNNYVALE CA 94086	
DECIMAL	ANGULAR	APPROVALS		DATE	
X.X ± 0.10	± 1°	DRAWN R. Kuang		9/9/98	
X.XX ± 0.05		CHECKED			
X.XXX ± 0.03		ENG'R			
		RELEASED			
MATERIAL	SEE NOTES	TITLE		TITLE	
FINISH	SEE NOTES	Yamai chi TQ144		Yamai chi TQ144	
DO NOT SCALE DRAWING		ACTEL DWG. NUMBER		1-07-09028	
		VENDOR NAME		YAMAICHI	
		VENDOR SID(PART) NUMBER		IC149-144-145-S5	
		VENDOR DWG. NUMBER		N/A	
		Actel Part#:		SY-TQ144	
		SCALE:		NONE	
		SHEET:		2 OF 2	

ACTEL CONFIDENTIAL